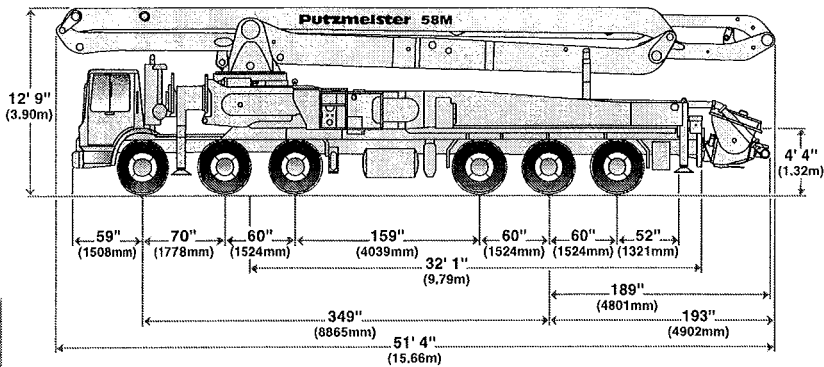


# 58-Meter



## 58-Meter Truck-Mounted Specifications

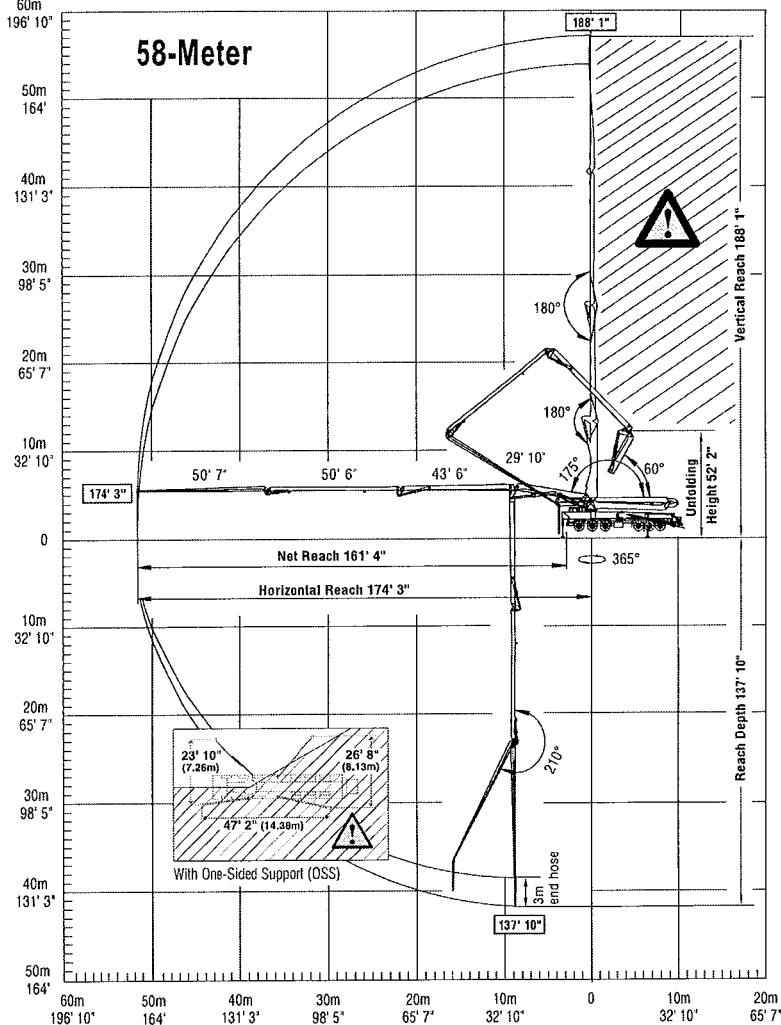
Based on Model MACK MRU 688S with 20H pump cell

Length	51' 4"	(15.66m)
Width	8' 2"	(2.50m)
Height	12' 9"	(3.90m)
Wheelbase	349"	(8,865mm)
Front axle weight	57,079 lbs	(25,891kg)
Rear axle weight	56,381 lbs	(25,574kg)
Approx. total weight	113,460 lbs	(51,465kg)

Weights are approximate and include pump, boom, truck, full hydraulic oil, driver and some fuel. Varies with options selected.

Dimensions will vary with different truck makes, models and specifications.

## Range Diagram



## Boom Specifications • Roll-and-Fold Design

<b>Height &amp; Reach</b>		
Vertical reach	188' 1"	(57.33m)
Horizontal reach	174' 3"	(53.11m)
Reach from front of truck*	161' 4"	(49.17m)
Reach depth	137' 10"	(42.01m)
Unfolding height	52' 2"	(15.90m)

### 4-Section Boom

1st section articulation	175°
2nd section articulation	180°
3rd section articulation	180°
4th section articulation	210°
1st section length	29' 10" (9.09m)
2nd section length	43' 6" (13.26m)
3rd section length	50' 6" (15.39m)
4th section length	50' 7" (15.42m)

### General Specs

Pipeline size (ID) metric ends	5"	(125mm)
Rotation	365°	
End hose — length	10'	(3m)
End hose — diameter	5"	(125mm)
Outrigger spread L - R — front swing out, telescope & extend down	32' 11"	(10.03m)
Outrigger spread L - R — rear swing out & extend down	38' 7"	(11.76m)

## Pump Specifications **58Z.16H** **58Z.20H**

Output — rod side	210 yd <sup>3</sup> /hr (160m <sup>3</sup> /hr)	—
piston side	146 yd <sup>3</sup> /hr (112m <sup>3</sup> /hr)	260 yd <sup>3</sup> /hr (200m <sup>3</sup> /hr)
Pressure — rod side	1233 psi (85 bar)	—
piston side	1885 psi (130 bar)	1233 psi (85 bar)
Material cylinder diameter	9" (230mm)	11" (280mm)
Stroke length	83" (2100mm)	83" (2100mm)
Max strokes per minute — rod side	31	—
piston side	21	26
Volume control	0-Full	0-Full
Vibrator	Standard	Standard
Hard-chromed material cylinders	Standard	Standard
Hydraulic system	Free Flow	Free Flow
Hydraulic system pressure	5075 psi (350 bar)	5075 psi (350 bar)
Differential cylinder diameter	5.5" (140mm)	5.5" (140mm)
Rod diameter	3.1" (80mm)	3.1" (80mm)
Maximum size aggregate	2.5" (63mm)	2.5" (63mm)
Water tank — outrigger	206 gal (780L)	206 gal (780L)

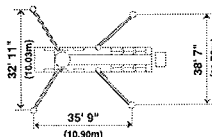
Maximum theoretical values listed.

\* Applies to units mounted on PMA stock truck — MACK MRU 688S

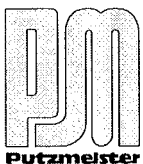
• Standard delivery line system rated at max line pressure of 1233 psi (85 bar)

End hose not to be operated in caution area.

Photos and drawings are for illustrative purposes only. For available options, please refer to price list.



Authorized Distributor



Putzmeister America, Inc.  
1733 90th Street  
Sturtevant, WI 53177 USA  
Telephone (262) 886-3200  
(800) 884-7210  
Facsimile (262) 884-6338  
www.putzmeister.com

